

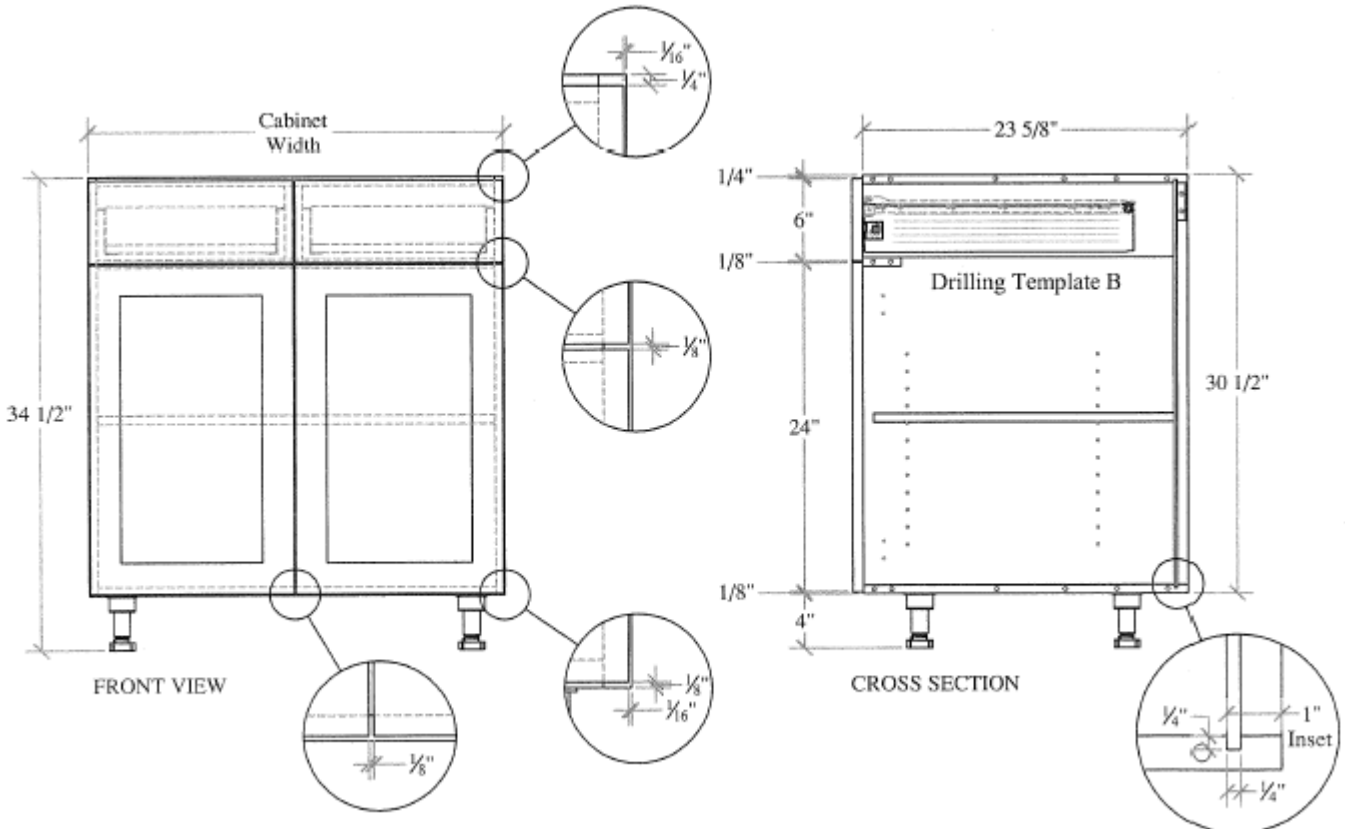
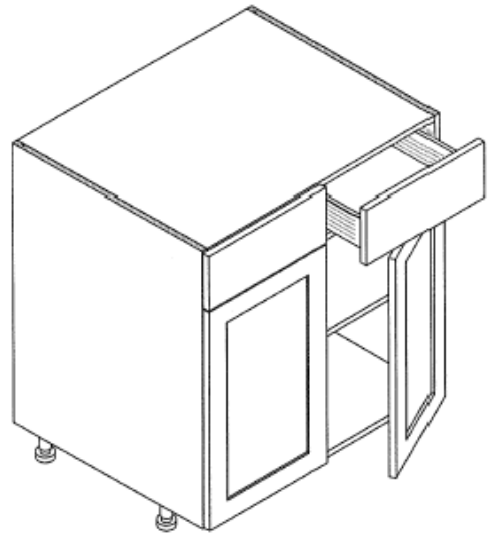
Dimensions for B2D2D Cabinet with Metal Single Wall Drawer System (No Roll Outs)

Variable Dimensions

- Specify Cabinet Width (Range 12" to 44")
- Specify Cabinet Height (Range 28 1/2" to 40 5/8") Default is 34 1/2"
- Specify Cabinet Depth (Range 12 1/4" to 30") Default is 23 5/8"
- Door Height Varies with Cabinet Height

Fixed Dimensions

- Drawer Front Height = 6"
- Toe Kick Height = 4"
- Door Gap Top = 1/4"
- Door Gap Horizontal = 1/8"
- Door Gap Vertical = 1/8"
- Door Gap Bottom = 1/8"
- Door Gap Left = 1/16"
- Door Gap Right = 1/16"
- Back Inset = 1"
- Back Thickness = 1/4"
- Shelf End Clearance = 0"
- Shelf Setback = 3/4"



Parts List for B2D2D Cabinet

Subassembly	Quantity	Description
Case Base	1	White Interior and Exterior Colour (No Finished Parts)
Door Base	2	
Drawer Front	2	
Drawer Box	2	Regular Height Drawer Box

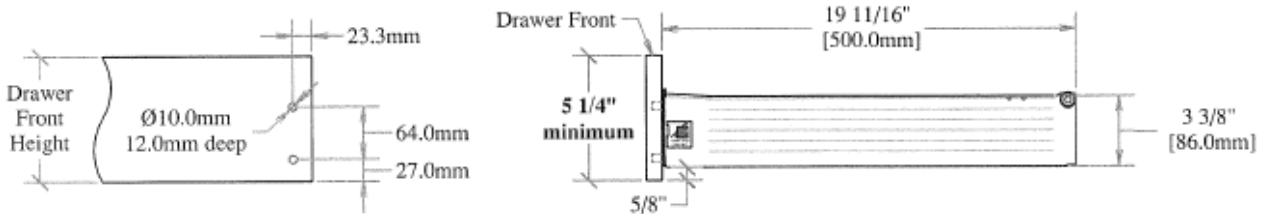
Cut Part	Quantity	Description
Case Side Left	1	5/8" White Melamine with Face Colour Edge Tape (L1 W2)
Case Side Right	1	5/8" White Melamine with Face Colour Edge Tape (L1 W2)
Case Bottom	1	5/8" White Melamine with Interior Colour Edge Tape (L1)
Case Back	1	1/4" White Hardboard
Case Drawer Rail	1	5/8" White Melamine with Face Colour Edge Tape (L1)
Case Drawer Divider	2	5/8" White Melamine with Face Colour Edge Tape (L1)
Case Top	1	5/8" White Melamine with Face Colour Edge Tape (L1)
Case Hanging Rail	1	5/8" White Melamine
Adjustable Shelf Base	1	5/8" White Melamine with Interior Colour Edge Tape (L1)
Drawer Box Cut Parts		Regular Height Drawer Box
Single Wall Cut Parts		refer to 5-1-3
Double Wall Cut Parts		refer to 5-3-4
or Dovetail Hardware		refer to 5-5-3

Hardware Part	Quantity	Description	Inventory
Cabinet Foot	4	Cabinet Foot	1000287
Cabinet Foot Mount	4	Cabinet Foot Mount	1000274
Cabinet Foot Clip	2	Cabinet Foot Clip	1000290
Cabinet Foot Clip Plate	2	Cabinet Foot Clip Plate	1000300
Shelf Support White	4	Supplier V Part Number (666.666)	1014228
Shelf Securing Stud	4	Supplier W Part Number(777.777)	1014215
Hinge Clip 110°	4	Supplier X Part Number (888.888)	1000203
Hinge Mounting Plate Omm	4	Supplier X Part Number (999.999)	1000193
Hinge Arm Cover Cap	4	Supplier Z Part Number (222.222)	1000216
Drawer Box Hardware		Regular Height Drawer Box	
Single Wall Cut Parts		refer to 5-1-3	
Double Wall Cut Parts		refer to 5-3-4	
or Dovetail Hardware		refer to 5-5-3	

Miscellaneous Part	Quantity	Description	Inventory
Pre-Glued Wood Dowel	32	Supplier X Part Number (333.333)	1001134

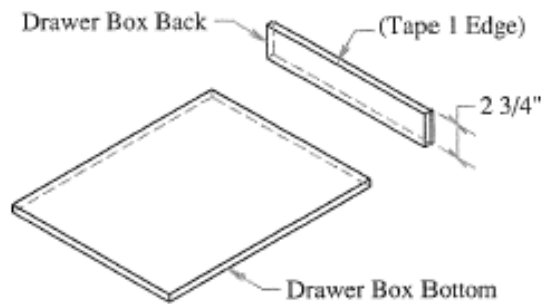
Single Wall Regular Drawer Box

Drawer Front



BACK VIEW of Drawer Front

SIDE VIEW of 86mm High Drawer Box



Cut Parts

Drawer Box Bottom (5/8" Melamine or Veneer)

Width = Nominal Runner Length - 1/16"

Length = Cabinet Width - 2 1/2" (One Drawer Front Wide Cabinet)

or Length = Cabinet Width/2 - 2 1/2" (Two Drawer Front Wide Cabinet)

Drawer Box Back (5/8" Melamine or Veneer)

Width = 2 3/4"

Length = Cabinet Width - 2 1/2" (One Drawer Front Wide Cabinet)

or Length = Cabinet Width/2 - 2 1/2" (Two Drawer Front Wide Cabinet)

Hardware Parts

Part Name	Quantity	Description	Inventory
Drawer Box Side Left	1	Supplier X Part Number (111.111)	1000151
Drawer Box Side Right	1	Supplier X Part Number (222.222)	1000177
Drawer Box FE Slide Left	1	Supplier X Part Number (333.333)	1010507
Drawer Box FE Slide Right	1	Supplier X Part Number (444.444)	1010484
Drawer Box FE Housing Left	1	Supplier X Part Number (555.555)	1010497
Drawer Box FE Housing Right	1	Supplier X Part Number (666.666)	1010471
Drawer Box Front Fixing Bracket Left	1	Supplier X Part Number (777.777)	1000135
Drawer Box Front Fixinf Bracket Right	1	Supplier X Part Number (888.888)	1000148
Drawer Box Cover Cap Left	1	Supplier X Part Number (999.999)	1000119
Drawer Box Cover Cap Right	1	Supplier X Part Number (000.000)	1000122

Drilling Template for Base Drawer Line Cabinets with Single Wall Drawer System

- Template Names: BL BR
- Manufacturing Codes: B2D2D V2D2D VC2D VSC

